

T & A

Data Terminal

5000 / 5100



- Time & Attendance, Access Control, Shop Floor
- Powerful Networking Ethernet 100 Base T, RS232, RS485
- 1~8MB for Data Memory with backup battery
- 8Digital I/O for external device monitoring
- Validation table to control valid ID
- Display name or employee number instead of card ID during card swiping
- OCX component supports TCP/IP, RS232 and Modem communication
- DLL supports TCP/IP, RS232 and Modem communication
- Setup, validation Table Download and Data Collection Software

5000 / 51000

5000 / 5100 T & A Data Terminal

Specifications

Electrical

Voltage:	12V ± 5% DC
Power Consumption:	Operating 50mA / All card devices attached and with battery charging status 200mA

Environmental

Temperature:	0° ~45° C (operating) / -20° ~60° C (storage)
Humidity:	20%~90% non-condensing (operating) / 10%~90% non-condensing (storage)

Physical

Weight:	1.6Kg maximum including backup batteries
Housing:	ABS plastic
Color:	Black
Dimensions:	150mmx150mmx50mm (LxWxH)

Indicator

Buzzer:	Programmable, 1KHz to 4KHz
LCD display:	128 X 64 Graphics dots FSTN with LED back-lit show 8 X 4 lines Chinese Characters
LED:	4 color LEDs

Memory

Program Memory:	2 MB Flash memory
Data Memory:	256 KB SRAM on-board
Optional Cards	Memory card from 2MB to 8MB available (2/4/6/8)
CPU:	16 bit CPU running at 22.1184MHz

Safety & Regulatory Approvals

FCC Class-A, CE, C-Tick

Input Device

Built-in RFID Reader:	Mifare or EM
External Reader Ports:	1 External reader port available, can be used to attach TTL RS232 reader
Built-in Keypad:	Back-lit rubber keyboard with 21 keys including 6 function keys
External Keyboard:	PS2 Type through Mini-Din connector (Optional)

Battery

Operation Battery Control:	The battery voltage can be monitored. An on-board self-shutdown circuit is included to prevent over-discharge of battery
Backup Battery:	7.4V, 2000mAh Lithium-ion battery (Optional)

Calendar

System Clock:	Calendar chip with battery back-up
---------------	------------------------------------

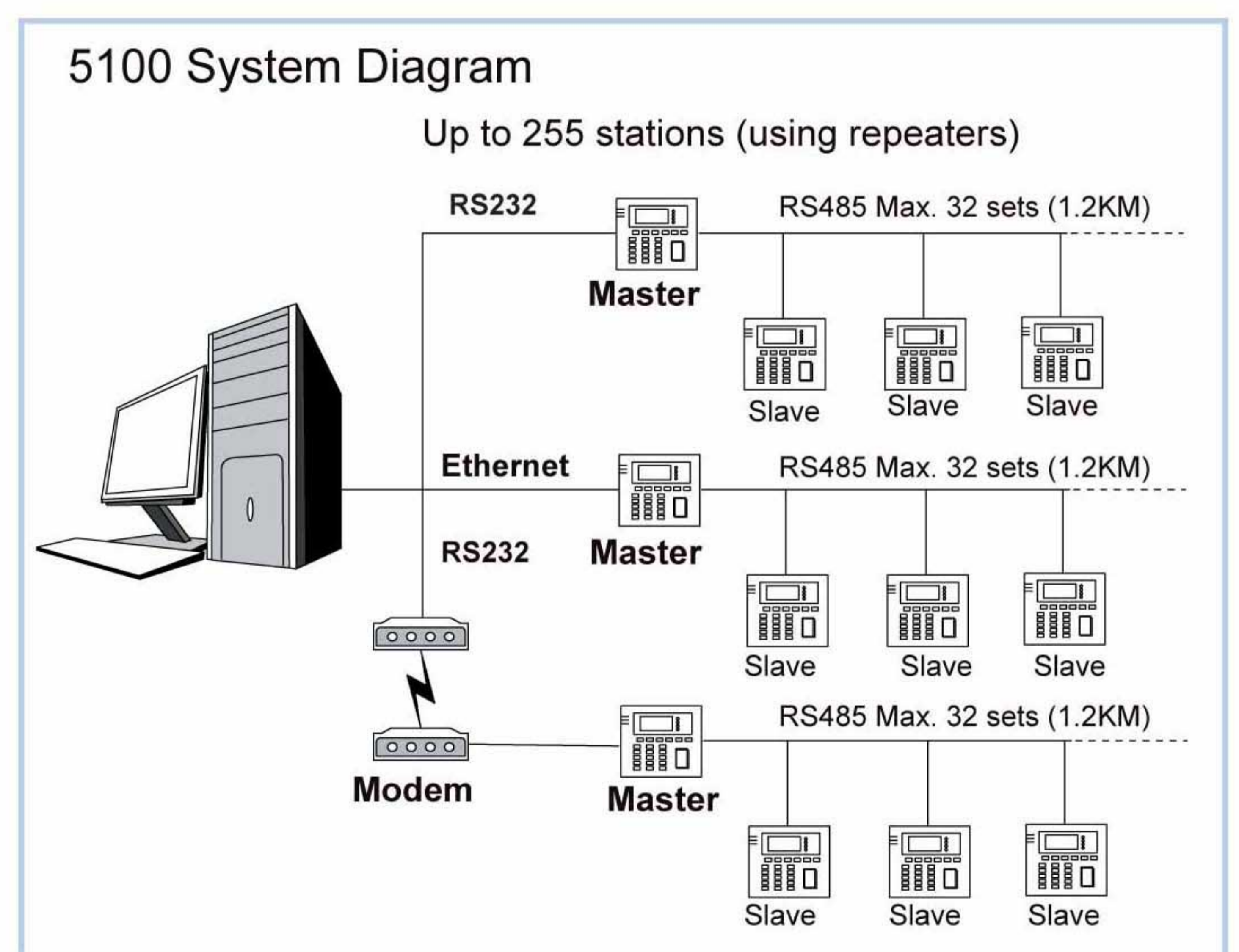
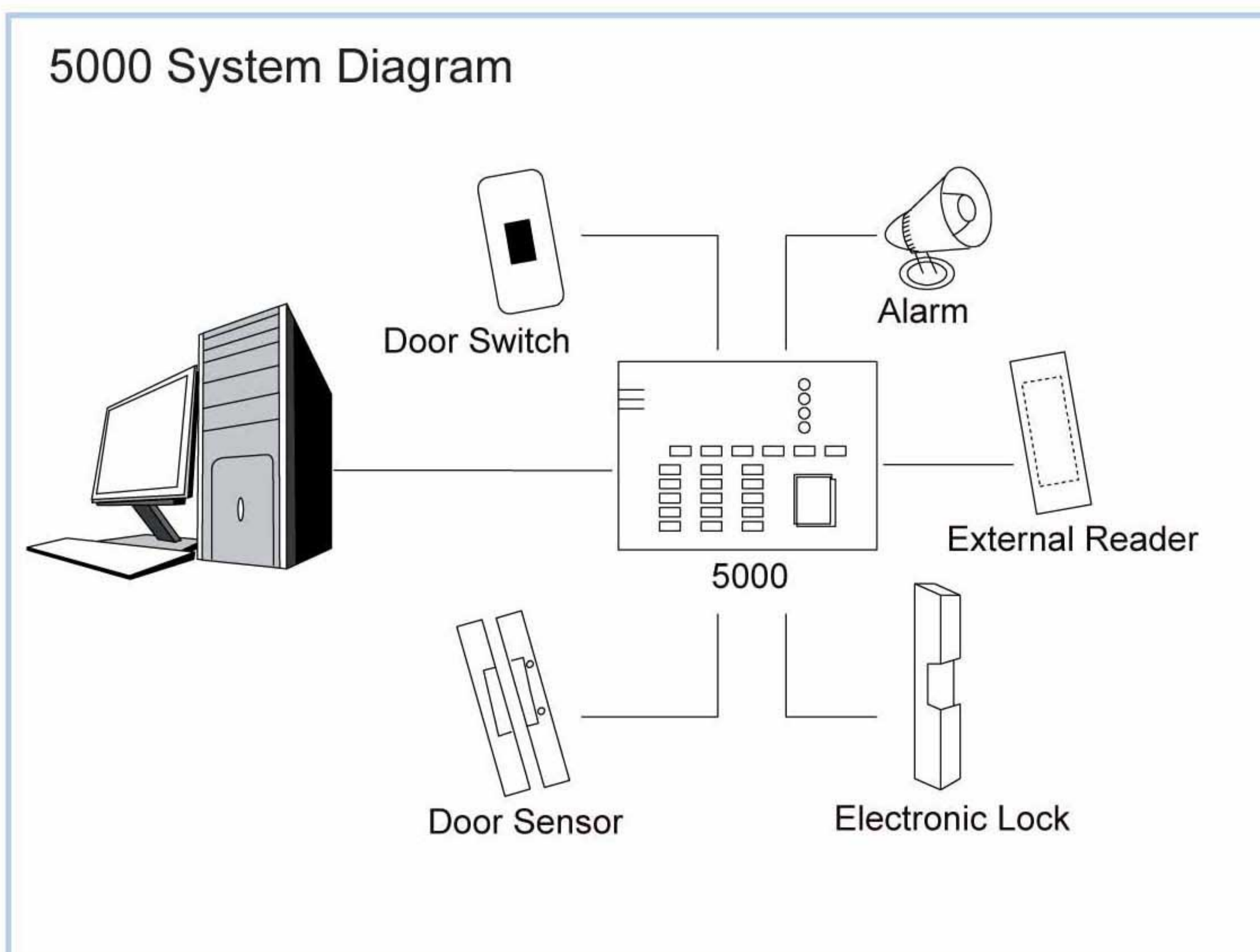
Digital Input/Output

Input / Output:	Up to 4 digital inputs & 4 digital outputs are available
Types of Input:	Photo-coupler can be used to monitor external devices
Types of Output:	Relay output can be used to control external devices such as alarm, door lock switches etc.

Communication Ports

Standard:	RS232 or RS485
Optional Cards:	TCP/IP cards 10/100 BaseT

Networking Architecture



Headquarters <http://www.cipherlab.com>

Syntech Information Co., Ltd. 12F, 333 Dunhua S. Rd., Sec 2, Taipei, Taiwan 106 TEL: +886 2 8647-3300 FAX: +886 2 8732-3300

USA <http://www.cipherlab.com>

Syntech West Inc. 3404 57th Street, NW Suite B, Gig Harbor, WA 98335, U.S.A. TEL: +1 253 858-7906 FAX: +1 253 858-7713