

SPECIFICATIONS

Optical

Resolution & Reading Depth

Series	Max. Resolution	Max. Depth for 40mil
	6 mil (0.15mm)	230 cm
	4 mil (0.1mm)	100 cm
	5 mil (0.125mm)	38 cm
	4 mil (0.1mm)	25 cm

Nominal scan rate	100 or 33 scans/sec
Wavelength	670nm±10nm
Maximum pitch	±65 degrees
Maximum skew	±50 degrees

Engineering Design

Power source	+5VDC, ±5%
Processor	Intel 80C31
Decoder	Proprietary
Body Material	ABS
Current Consumption	55mA~90mA(max.) for undecoded
Weight	140g (without cable)
Shock Resistance	1 meter drop onto concret

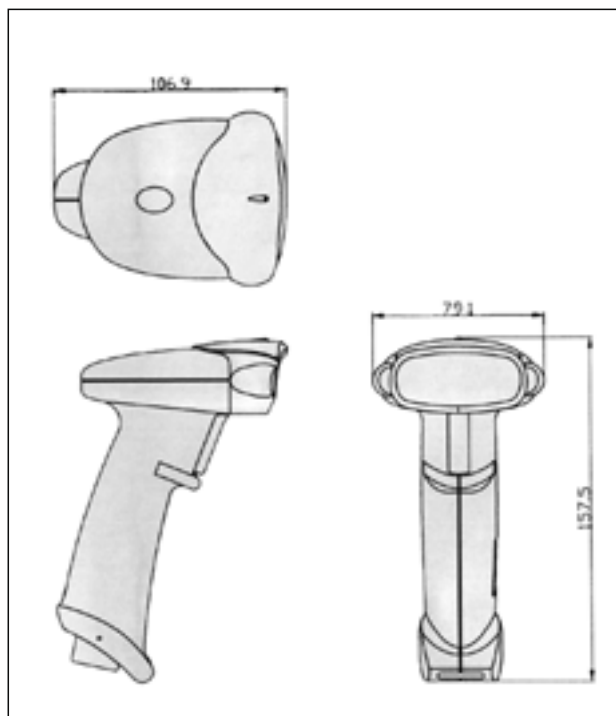
Readable Barcodes

Code 39, Full ASCII Code 39, UPC/EAN/JAN, CODABAR, Interleaved 2/5, Code 128, Code 11, Code 93, MSI/PLESSEY, Code 4, etc.

Operating Environment

Operating Temperature	0°C to 50°C
Storage Temperature	-20°C to 65°C
Relative Humidity	5% to 95% noncondensing
EMI Emission	FCC class A
Ambient Light	3,000 to 8,000 lux
Connectivity	DB9, DB25, AMP, RJ-45, RJ-11, DIN 5

DIMENSIONS:



Series

	Long Range \geq 230 cm
	Middle Range \geq 100 cm
	Normal Range \geq 38 cm
	User Adjustable Trigger & Triggerless Reading Range \geq 25 cm

Models - by interfaces

	Undecoded model with TTL Output
	Wand-emulation with built-in decoder
	RS-232 interface with built-in decoder
	Keyboard wedge with built-in decoder
	Keyboard/RS-232/Wand, Three-in-One
	USB interface

- *Barcode Hand-held Laser Scanner with High Performance*
- *Long Range Model, Reading Distance \geq 2 meters, can be Requested*



- **Most Competitive Price in the World**
- **High Resolution, max. 4 mil (0.1mm)**
- **Lightweight, Easy for Hand-held Operation**
- **Adjustable Trigger or Triggerless Operation**
- **Laser Engine and Decoder Module can be upon OEM Request**

Holder

Optional Auto-Stand,
offers hands-free scanning

LASER F2006

FEATURES

- High quality and high performance
- Full featured and full functions
- Wave length: 670nm
- Scan speed: 100 or 33 scans per second
- Reading depth: 0 to over 2 meter, depend on different series
- Reading width: Up to 65mm for contact reading
Up to 250mm for reading depth of 380mm
- Reading PCS: 0.45 or larger reflection factor of space and margin
- Interfaces support: Keyboard wedge, RS-232, Wand emulation, TTL, USB, etc.
- Full functions of built-in decoder, software configuration, support reading most types of barcode.